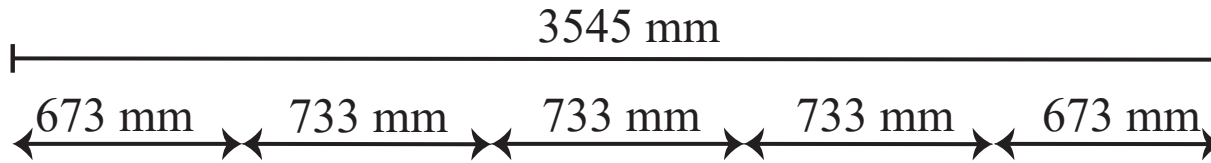


Product Specification - 3 x 3 Straight Pop Up Classic

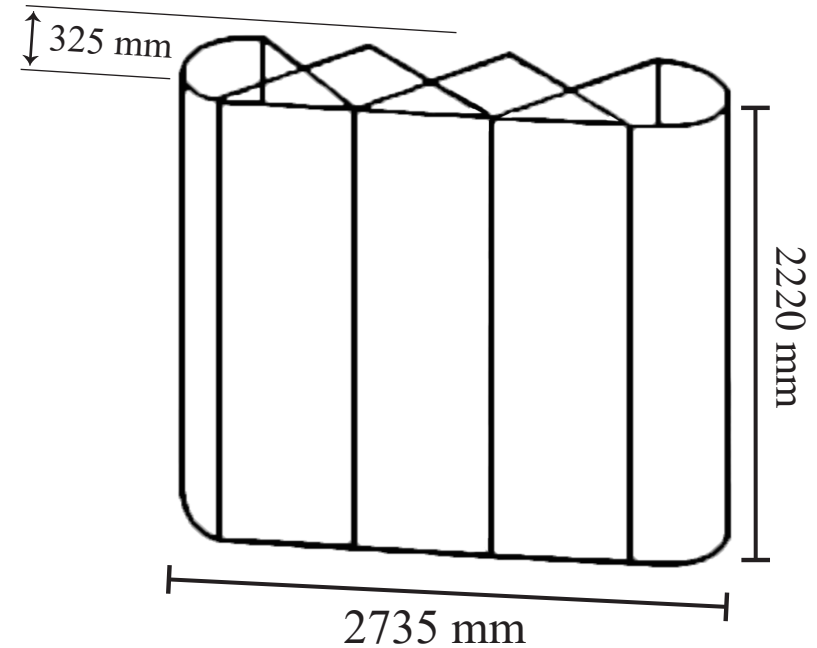


Curve Panel	Front Panel	Front Panel	Front Panel	Curve Panel
-------------	-------------	-------------	-------------	-------------



Visibility Zone

Texts and images advise to be placed within zone



Weight: 25 kg

Floor Dimensions:

2.7 m (L) x 0.33 m (W) x 2.2 m (H)